



actual size

# Oscillator J053 · 3.0 V

- SMD Oscillator with Stop Function · 5.0 x 3.2 mm
- LVCMOS / HCMOS compatible output
- Low phase jitter, no PLL
- Seam sealed ceramic/metal package



RoHS compliant



Pb free



REACH compliant



Conflict mineral free

## GENERAL DATA

TYPE		J053 3.0 V
frequency range	STD & T1	0.50 ~ 50.0 MHz (30 pF max.)
		0.50 ~ 160.0 MHz (15 pF max.)
	T2	2.0 ~ 120.0 MHz (15 pF max.)
	T3*	2.0 ~ 120.0 MHz (15 pF max.)
frequency stability over all**		± 20 ppm ~ ± 100 ppm (table 1)
current consumption		see table 2
supply voltage V <sub>DC</sub>		3.0 V ± 10 % (± 5 % for stab. C & D)
temperature	operating	-10 °C ~ +70 °C (STD)
		-40 °C ~ +85 °C (T1)
		-40 °C ~ +105 °C (T2)
		-40 °C ~ +125 °C (T3*)
	storage	-55 °C ~ +125 °C
output	rise & fall time	see table 3
	load max.	15 pF / 30 pF (≤ +85 °C and ≤ 50.0 MHz)
	current max.	5 mA / 4 mA (T2 & T3*)
	low level max.	0.1 x V <sub>DC</sub> / 0.4 V for T2 & T3*
	high level min.	0.9 x V <sub>DC</sub> / V <sub>DC</sub> - 0.4V for T2 & T3*
output enable time max.		10 ms
output disable time max.		150 ns / 200 ns (T2 & T3*)
start-up time max.		10 ms
standby function		stop
standby current max.		10µA / 20µA (for T2 & T3*)
phase jitter 12 kHz ~ 20.0 MHz		< 1.0 ps RMS
symmetry at 0.5 x V <sub>DC</sub>		45% ~ 55% typ. (40% ~ 60% max.)

## TABLE 1: FREQUENCY STABILITY CODE

stability code	A	B	G	C	D
	± 100 ppm	± 50 ppm	± 30 ppm	± 25 ppm	± 20 ppm
-10 °C ~ +70 °C STD.		○	○	○	△
-40 °C ~ +85 °C T1	○	○	○	□	
-40 °C ~ +105 °C T2	○	○			
-40 °C ~ +125 °C T3*	○	○			

○ available □ excludes aging △ if ≤ 50.0 MHz, excludes aging

\* ask if available

\*\* includes stability at 25 °C, operating temp. range, supply voltage change, shock and vibration, aging 1st year.

## TABLE 2: CURRENT CONSUMPTION MAX.

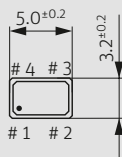
Current at 15 pF load:		Current at 30 pF load:	
0.5 ~ 29.9 MHz	10 mA	0.5 ~ 29.9 MHz	10 mA
30.0 ~ 49.9 MHz	20 mA	30.0 ~ 50.0 MHz	25 mA
50.0 ~ 79.9 MHz	30 mA		
80.0 ~ 119.9 MHz	40 mA		
120.0 ~ 160.0 MHz	50 mA		

## TABLE 3: RISE & FALL TIME MAX.

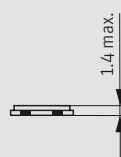
at 15 pF	at 30 pF
6 ns: 0.50 ~ 1.79 MHz	7 ns: 0.50 ~ 50.00 MHz
5 ns: 1.80 ~ 49.99 MHz	
4 ns: 50.00 ~ 119.99 MHz	
3 ns: 80.00 ~ 160.00 MHz	

**note:** rise time: 0.1 V<sub>DC</sub> ~ 0.9 V<sub>DC</sub> / fall time: 0.9 V<sub>DC</sub> ~ 0.1 V<sub>DC</sub>  
specific data on request

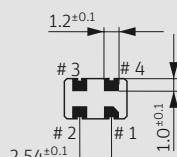
## DIMENSIONS



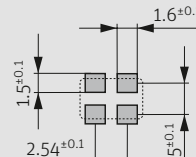
top view



side view



bottom view



pad layout

- # 1: e/d
- # 2: ground
- # 3: output
- # 4: V<sub>DC</sub>

pin connection

in mm

## ORDER INFORMATION

0	frequency	type	frequency stability code	supply voltage code	output load code	option
Oscillator	0.5 ~ 160.0 MHz	J053	see table 1	3.0 = 3.0 V	1 = 15 pF 2 = 30 pF	blank = -10 °C ~ +70 °C T1 = -40 °C ~ +85 °C T2 = -40 °C ~ +105 °C T3 = -40 °C ~ +125 °C

**Example:** 0 20.0-J053-B-3.0-1-T1-LF (Suffix LF = RoHS compliant / Pb free)



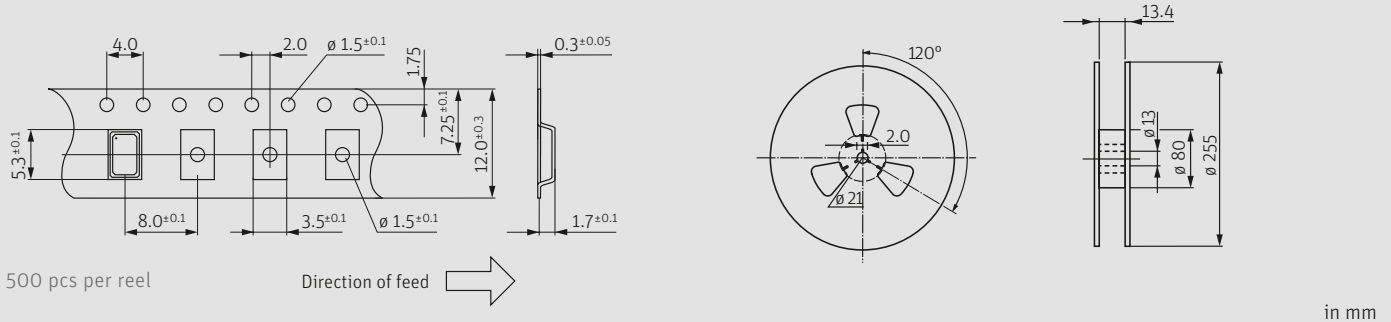
B.C.E. S.r.l. - Via Regina Pacis, 54/c - Sassuolo (MO) - I 41049 - Italy  
Tel.: 0536 811616 - Fax: 0536 811500 - Web: [www.bce.it](http://www.bce.it) - E-mail: [bce@bce.it](mailto:bce@bce.it)

08052018-18

Jauch Quartz GmbH · e-mail: [info@jauch.com](mailto:info@jauch.com) · full data can be found under: [www.jauch.com](http://www.jauch.com)  
All specifications are subject to change without notice

# Oscillator J053 · 3.0 V · Stop Function

## TAPING SPECIFICATION



## ENABLE / DISABLE FUNCTION

pin #1 (e/d control)	pin #3 (output)
open	active
high "1" ( $V_{IH} \geq 0.8 V_{DC}$ )	active
low "0" ( $V_{IL} \leq 0.2 V_{DC}$ )	high impedance

### stop function:

- oscillator stops
- output high impedance

## MARKING

### frequency

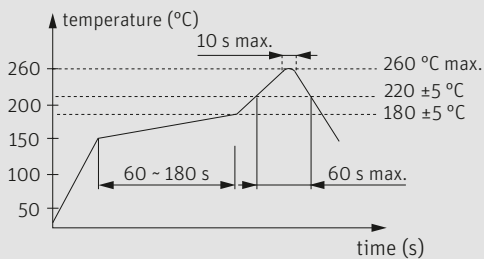
### company stability code / voltage data code

data code: A ~ M: Jan. - Dec.

7: 2017 8: 2018 9: 2019 0: 2020 1: 2021 2: 2022

Jan.	Febr.	Mar.	Apr.	May	June
A	B	C	D	E	F
July	Aug.	Sept.	Oct.	Nov.	Dec.
G	H	J	K	L	M

## REFLOW SOLDERING PROFILE



note: parts are also suitable for soldering systems with lead (Pb) content

## PACKAGING NOTE

- standard packing unit is 500 pieces per reel
- non-multiple packing units are only supplied taped / bulk