



actual size

# Oscillator JO75 · 3.3 V

- SMD Oscillator with Stop Function · 7.5 x 5.0 mm
- LVCMOS / HCMOS compatible output
- Low phase jitter, no PLL
- Seam sealed ceramic/metal package



RoHS compliant



Pb free



REACH compliant



Conflict mineral free

## GENERAL DATA

TYPE		JO75 3.3 V
frequency range	STD & T1	0.50 ~ 80.0 MHz (30 pF max.)
		0.50 ~ 165.0 MHz (15 pF max.)
	T2	2.0 ~ 120.0 MHz (15 pF max.)
	T3*	2.0 ~ 120.0 MHz (15 pF max.)
frequency stability over all**		± 20 ppm ~ ± 100 ppm (table 1)
current consumption		see table 2
supply voltage V <sub>DC</sub>		3.3 V ± 10 % (± 5 % for stab. C & D)
temperature	operating	-10 °C ~ +70 °C (STD)
		-40 °C ~ +85 °C (T1)
		-40 °C ~ +105 °C (T2)
		-40 °C ~ +125 °C (T3*)
	storage	-55 °C ~ +125 °C
output	rise & fall time	see table 3
	load max.	15 pF / 30 pF (≤ +85 °C and ≤ 80.0 MHz)
	current max.	8 mA / 4 mA (T2 & T3*)
	low level max.	0.1 x V <sub>DC</sub> / 0.4 V for T2 & T3*
	high level min.	0.9 x V <sub>DC</sub> / V <sub>DC</sub> - 0.4V for T2 & T3*
output enable time max.		10 ms
output disable time max.		150 ns / 200 ns (T2 & T3*)
start-up time max.		10 ms
standby function		stop
standby current max.		10µA / 20µA (for T2 & T3*)
phase jitter 12 kHz ~ 20.0 MHz		< 1.0 ps RMS
symmetry at 0.5 x V <sub>DC</sub>		45% ~ 55% typ. (40% ~ 60% max.)

## TABLE 1: FREQUENCY STABILITY CODE

stability code		A	B	G	C	D
		± 100 ppm	± 50 ppm	± 30 ppm	± 25 ppm	± 20 ppm
-10 °C ~ +70 °C	STD		○	○	○	△
-40 °C ~ +85 °C	T1	○	○	○	□	
-40 °C ~ +105 °C	T2	○	○			
-40 °C ~ +125 °C	T3*	○	○			

○ available □ excludes aging △ if ≤ 50.0 MHz, excludes aging

\* ask if available

\*\* includes stability at 25 °C, operating temp. range, supply voltage change, shock and vibration, aging 1st year.

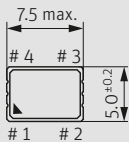
## TABLE 2: CURRENT CONSUMPTION MAX.

Current at 15 pF load:		Current at 30 pF load:	
1.0 ~ 19.9 MHz	8 mA	1.0 ~ 19.9 MHz	15 mA
20.0 ~ 49.9 MHz	15 mA	20.0 ~ 49.9 MHz	25 mA
50.0 ~ 79.9 MHz	25 mA	50.0 ~ 80.0 MHz	35 mA
80.0 ~ 99.9 MHz	35 mA		
100.0 ~ 124.9 MHz	45 mA		
125.0 ~ 165.0 MHz	60 mA		

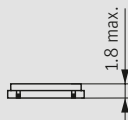
## TABLE 3: RISE & FALL TIME MAX.

6 ns: 1.0 ~ 9.9 MHz	<b>note:</b> - specific data on request - rise time: 0.1 V <sub>DC</sub> ~ 0.9 V <sub>DC</sub> - fall time: 0.9 V <sub>DC</sub> ~ 0.1 V <sub>DC</sub>
5 ns: 10.0 ~ 39.9 MHz	
4 ns: 40.0 ~ 69.9 MHz	
3 ns: 70.0 ~ 165.0 MHz	

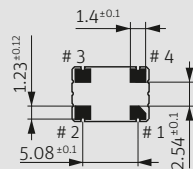
## DIMENSIONS



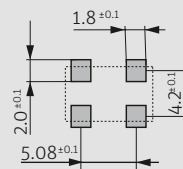
top view



side view



bottom view



pad layout

# 1: e/d  
# 2: ground  
# 3: output  
# 4: V<sub>DC</sub>

pin connection

in mm

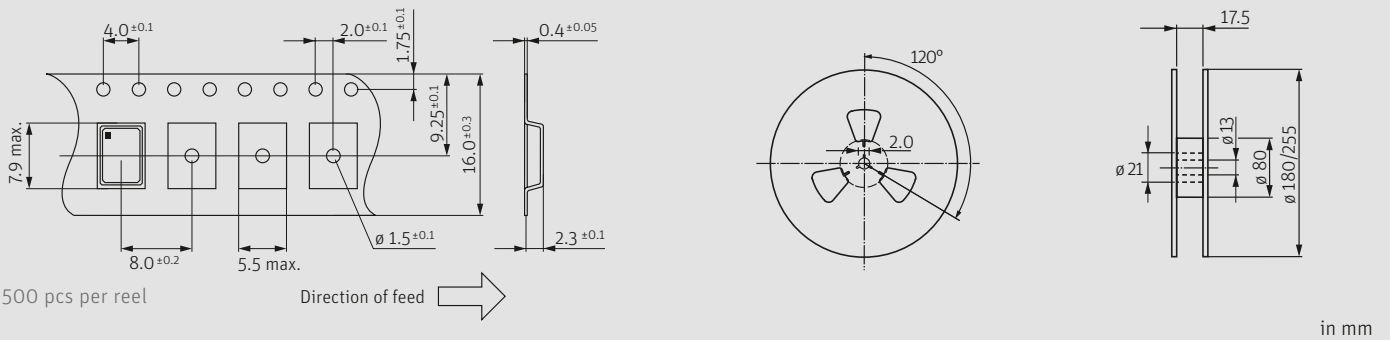
## ORDER INFORMATION

0	frequency	type	frequency stability code	supply voltage code	output load code	option
Oscillator	1.0 ~ 170.0 MHz	JO75	see table 1	3.3 = 3.3 V	1 = 15 pF 2 = 30 pF	blank = -10 °C ~ +70 °C T1 = -40 °C ~ +85 °C T2 = -40 °C ~ +105 °C T3 = -40 °C ~ +125 °C

**Example: 0 20.0-JO75-B-3.3-1** (Suffix LF = RoHS compliant / Pb free)

# Oscillator J075 · 3.3 V · Stop Function

## TAPING SPECIFICATION



## ENABLE / DISABLE FUNCTION

pin #1 (e/d control)	pin #3 (output)
open	active
high "1" ( $V_{IH} \geq 0.8 V_{DC}$ )	active
low "0" ( $V_{IL} \leq 0.2 V_{DC}$ )	high impedance

### stop function:

- oscillator stops
- output high impedance

## MARKING

### frequency

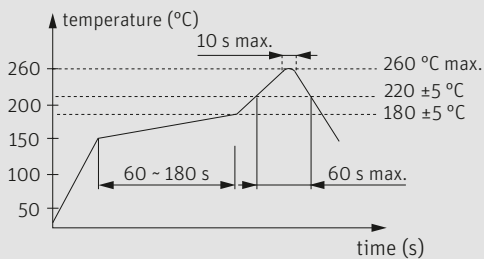
### company stability code / voltage data code

data code: A ~ M: Jan. - Dec.

7: 2017    8: 2018    9: 2019    0: 2020    1: 2021    2: 2022

Jan.	Febr.	Mar.	Apr.	May	June
A	B	C	D	E	F
July	Aug.	Sept.	Oct.	Nov.	Dec.
G	H	J	K	L	M

## REFLOW SOLDERING PROFILE



note: parts are also suitable for soldering systems with lead (Pb) content

## PACKAGING NOTE

- standard packing unit is 500 pieces per reel
- non-multiple packing units are only supplied taped / bulk