



actual size

SMD Quartz Crystal · JXG53P2

- 2 pad version, 5.0 x 3.2 mm
- glass sealed ceramic package
- extended temperature ranges available
- high mechanical reliability type available
- for automotive type, see automotive datasheet



RoHS compliant



Pb free



REACH compliant



Conflict mineral free

GENERAL DATA			
TYPE	JXG53P2		
frequency range	8.0 ~ 50.0 MHz (fund. AT-cut)		
	45.0 ~ 60.0 MHz (3rd OT AT-cut)		
frequency tolerance at 25 °C	±30 ppm, ±50 ppm		
load capacitance C_L	12 pF standard (option: 8 pF - 30 pF / series)		
shunt capacitance C_0	< 7 pF max.		
storage temperature	-40 °C ~ +125 °C		
drive level max.	100 µW (10 µW recommended)		
aging	< ±3 ppm first year		

ESR (SERIES RESISTANCE RS)			
frequency in MHz	vibration mode	ESR max. in Ω	ESR typ. in Ω
8.0 ~ 8.999	fund. - AT	150	80
9.0 ~ 9.999	fund. - AT	120	60
10.0 ~ 11.999	fund. - AT	60	30
12.0 ~ 15.999	fund. - AT	50	25
16.0 ~ 21.999	fund. - AT	40	20
22.0 ~ 24.999	fund. - AT	35	15
25.0 ~ 50.000	fund. - AT	30	15
45.0 ~ 60.000	3rd OT-AT	90	65

TABLE 1: FREQUENCY STABILITY VS. TEMPERATURE				
		±30 ppm	±50 ppm	±100 ppm
-20 °C ~ +70 °C	STD.	●	○	○
-40 °C ~ +85 °C	T1	○	●	○
-40 °C ~ +105 °C	T2		○	○
-40 °C ~ +125 °C	T3			○

● standard ○ available

MARKING					
frequency with load capacitance code					
company code / date code / internal code					
date code: A ~ M: Jan. - Dec.					
7: 2017	8: 2018	9: 2019	0: 2020	1: 2021	2: 2022
Jan.	Febr.	Mar.	Apr.	May	June
A	B	C	D	E	F
July	Aug.	Sept.	Oct.	Nov.	Dec.
G	H	J	K	L	M

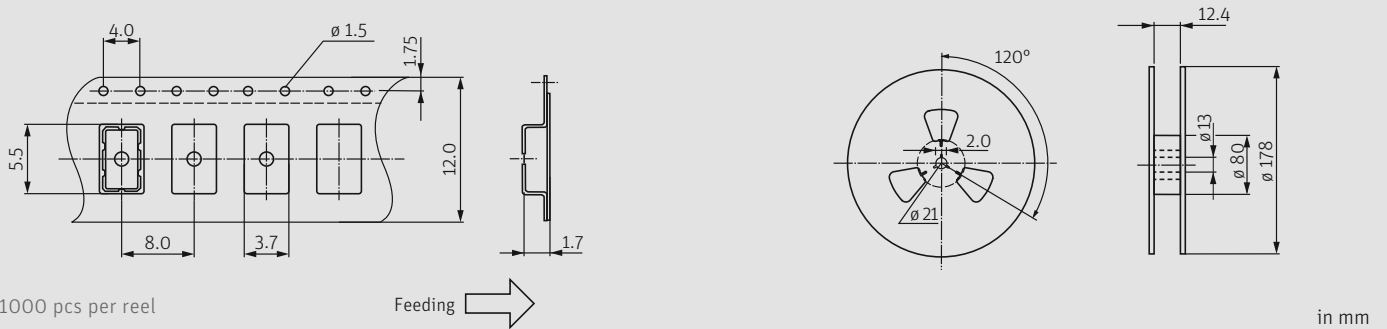
DIMENSIONS					
					in mm
top view	side view	bottom view	crystal connection	pad layout	

ORDER INFORMATION						
Q	frequency	type	load capacitance	tolerance at 25 °C	stability vs. temp. range	option
Quartz	8.0 - 60.0 MHz	JXG53P2	12 pF standard 10 pF ~ 30 pF S for series	30 = ±30 ppm 50 = ±50 ppm	30 = ±30 ppm 50 = ±50 ppm 100 = ±100 ppm	blank = -20 °C ~ +70 °C T1 = -40 °C ~ +85 °C T2 = -40 °C ~ +105 °C T3 = -40 °C ~ +125 °C FU = for fundamental frequencies ≥ 20 MHz 30T = 3 rd overtone HMR = high mechanical reliability (3000g/half sine wave/0.3 ms)

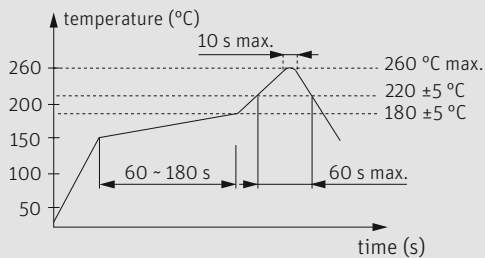
Example: Q 28.0-JXG53P2-12-30/30-FU-LF (Suffix LF = RoHS compliant / Pb free pins or pads)

SMD Quartz Crystal · JXG53P2

TAPING SPECIFICATION



REFLOW SOLDERING PROFILE



note: parts are also suitable for soldering systems with lead (Pb) content

LOAD CAPACITANCE CODES

8 pF: k	14 pF: x	22 pF: g	series: s
9 pF: n	15 pF: j	24 pF: d	T: 3rd OT
10 pF: h	16 pF: b	25 pF: r	
11 pF: l	17 pF: t	27 pF: w	
12 pF: a	18 pF: f	30 pF: .	
13 pF: v	20 pF: c		

example 12.0 MHz / 12 pF: 12a00