



actual size

# SMD Quartz Crystal · JXG53P4

- 4 pad version, 5.0 x 3.2 mm
- glass sealed ceramic package
- extended temperature ranges available
- high mechanical reliability type available
- for automotive type, see automotive datasheet



RoHS compliant



Pb free



REACH compliant



Conflict mineral free

GENERAL DATA	
TYPE	JXG53P4
frequency range	8.0 ~ 50.0 MHz (fund. AT-cut) 45.0 ~ 60.0 MHz (3rd OT AT-cut)
frequency tolerance at 25 °C	±30 ppm, ±50 ppm
load capacitance $C_L$	12 pF standard (option: 8 pF ~ 30 pF / series)
shunt capacitance $C_0$	< 7 pF max.
storage temperature	-40 °C ~ +125 °C
drive level max.	100 µW (10 µW recommended)
aging	< ±3 ppm first year

ESR (SERIES RESISTANCE $R_S$ )			
frequency in MHz	vibration mode	ESR max. in $\Omega$	ESR typ. in $\Omega$
8.0 ~ 8.999	fund. - AT	150	80
9.0 ~ 9.999	fund. - AT	120	60
10.0 ~ 11.999	fund. - AT	60	30
12.0 ~ 15.999	fund. - AT	50	25
16.0 ~ 21.999	fund. - AT	40	20
22.0 ~ 24.999	fund. - AT	35	15
25.0 ~ 50.000	fund. - AT	30	15
45.0 ~ 60.000	3rd OT-AT	90	65

TABLE 1: FREQUENCY STABILITY VS. TEMPERATURE				
		±30 ppm	±50 ppm	±100 ppm
-20 °C ~ +70 °C	STD.	●	○	○
-40 °C ~ +85 °C	T1	○	●	○
-40 °C ~ +105 °C	T2		○	○
-40 °C ~ +125 °C	T3			○

MARKING					
frequency with load capacitance code					
company code / date code / internal code					
date code: A ~ M: Jan. - Dec.					
7: 2017	8: 2018	9: 2019	0: 2020	1: 2021	2: 2022
Jan.	Febr.	Mar.	Apr.	May	June
A	B	C	D	E	F
July	Aug.	Sept.	Oct.	Nov.	Dec.
G	H	J	K	L	M

● standard ○ available

**DIMENSIONS**

**ORDER INFORMATION**

Q	frequency	type	load capacitance	tolerance at 25 °C	stability vs. temp. range	option
Quartz	8.0 ~ 60.0 MHz	JXG53P4	12 pF standard 10 pF ~ 30 pF S for series	30 = ±30 ppm 50 = ±50 ppm	30 = ±30 ppm 50 = ±50 ppm 100 = ±100 ppm	blank = -20 °C ~ +70 °C T1 = -40 °C ~ +85 °C T2 = -40 °C ~ +105 °C T3 = -40 °C ~ +125 °C FU = for fundamental frequencies ≥ 20 MHz 30T = 3 rd overtone HMR = high mechanical reliability (3000g/half sine wave/0.3 ms)

**Example: Q 28.0-JXG53P4-12-30/30-FU-LF** (Suffix LF = RoHS compliant / Pb free pins or pads)



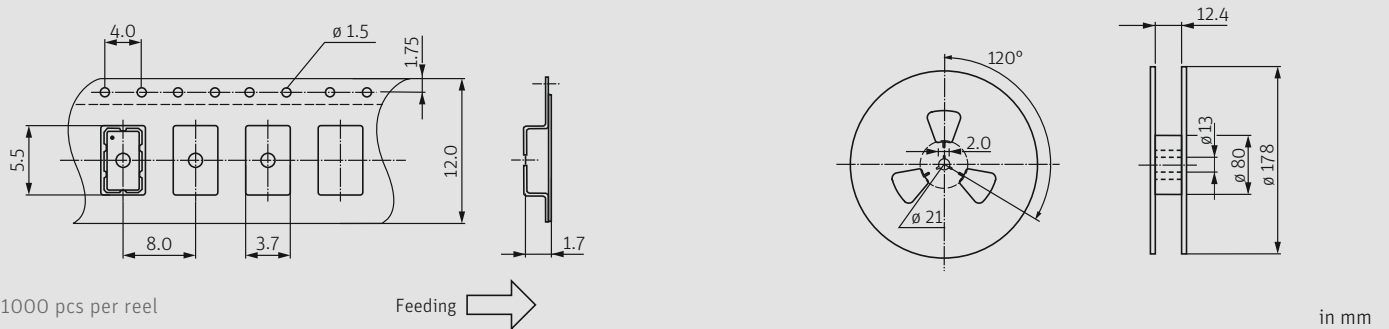
B.C.E. S.r.l. - Via Regina Pacis, 54/c - Sassuolo (MO) - I 41049 - Italy  
 Tel.: 0536 811616 - Fax: 0536 811500 - Web: www.bce.it - E-mail: bce@bce.it

21032019

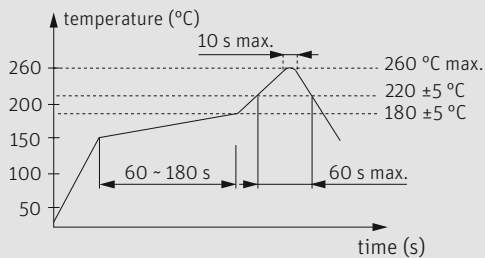
Jauch Quartz GmbH • e-mail: info@jauch.com • full data can be found under: www.jauch.com  
 All specifications are subject to change without notice

# SMD Quartz Crystal · JXG53P4

## TAPING SPECIFICATION



## REFLOW SOLDERING PROFILE



note: parts are also suitable for soldering systems with lead (Pb) content

## LOAD CAPACITANCE CODES

8 pF: k	14 pF: x	22 pF: g	series: s
9 pF: n	15 pF: j	24 pF: d	T: 3rd OT
10 pF: h	16 pF: b	25 pF: r	
11 pF: l	17 pF: t	27 pF: w	
12 pF: a	18 pF: f	30 pF: .	
13 pF: v	20 pF: c		

example 12.0 MHz / 12 pF: 12a00