



Lithium Primary - CR 2

- Reliable energy for your application
- Standard cells and customized packs
- ESD protection
- UL recognized
- Battery Certification Experts



RoHS compliant



Pb free



REACH compliant



Conflict mineral free

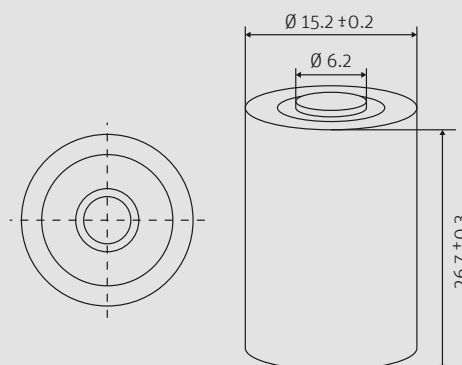
Technical Data Sheet · CR 2

SPECIFICATIONS

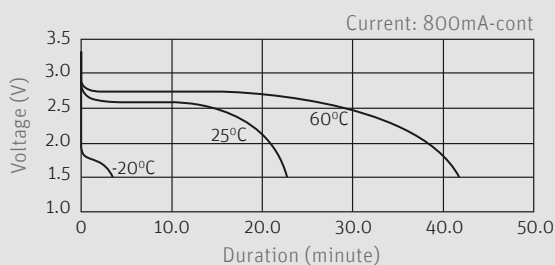
Nominal Voltage	3V
Jauch part number	245718
Nominal Capacity	900 mAh
Continuous Standard Load	10 mA
Constant Discharge	10 mA to 2V
Max. Continuous Discharge	850 mA
Max. Pulse Current	1500 mA
Operating Temperature	-40°C to +70°C**
Weight	Approx. 11.0 gr.
Chemistry	Li/MnO ₂
UI1642	MH62838

* In applications where the battery is exposed to temperatures >60°C, please contact Jauch.

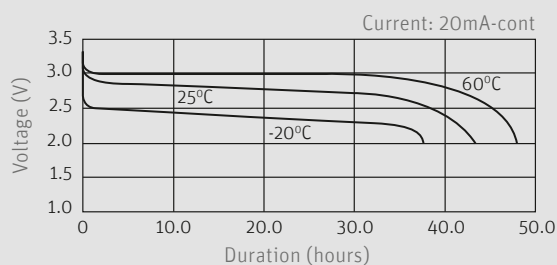
DIMENSIONS



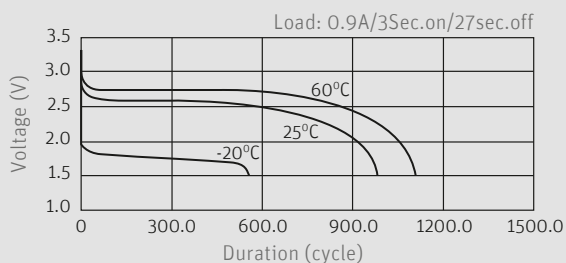
DISCHARGE CHARACTERISTICS



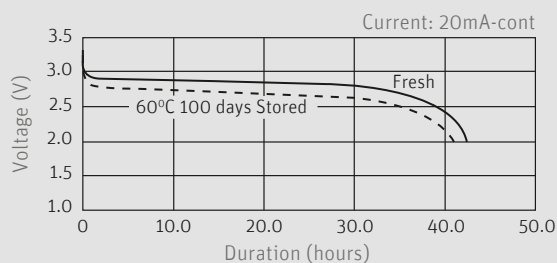
DISCHARGE CHARACTERISTICS



PULSE DISCHARGE CHARACTERISTICS



DISCHARGE CHARACTERISTICS



Wide assortment of mounting options, including through hole, surface mount and wire terminals.

Contact **B.C.E. S.r.l.** for more information

bce@bce.it