



Simple. Complex. Critical.
Interconnect technology you can trust.

MH RANGE
AVAILABLE FROM



THE EDAC GROUP OF COMPANIES



Established in 1966, EDAC is a leading developer, manufacturer and supplier of electronic connectors.

The Group has 4 recognised brands:

MH CONNECTORS

Acquired in 2010 and operating from a UK base, the MH focus is on traditional and trusted technologies, including D-Sub connectors and hoods. MH's brand recognition is predominantly in EMEA where they are strong in communications, energy, industrial and transportation.



EDAC

Operating from the Group's HQ in Ontario, Canada with an EMEA operation based in the UK, EDAC specialise in electronic design development with strengths in/solutions for computing and storage, medical, aerospace, industrial, communications and consumer electronics sectors.



NORCOMP INC.

Acquired in 1997 and based in North Carolina, USA, Norcomp offer premium, ruggedised connectors for demanding environments such as industrial, robotics, medical, telematics and military sectors.

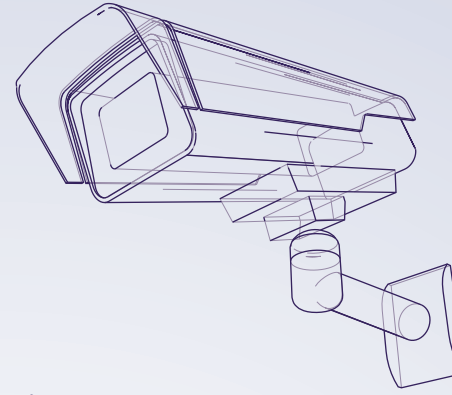


NORTHERN TECHNOLOGIES

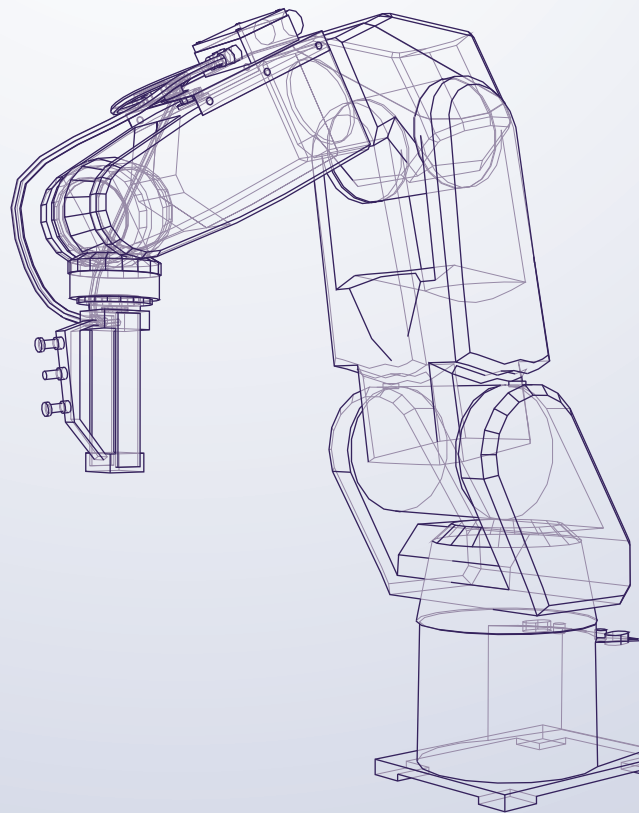
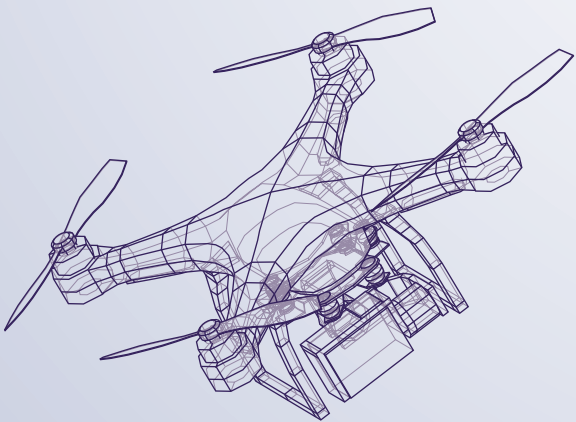
The latest acquisition, in 2024, Northern Technologies are specialists in standard and custom high performance shielding products for the data communications industry.



WHERE MH CONNECTORS ARE SUCCESSFULLY USED



- Automotive
- Aviation
- Cables, harnesses & panels
- Communications & broadcast
- Computing & storage
- Consumer electronics
- Development boards
- Industrial manufacturing
- Internet of things
- Medical
- Renewable energy
- Robotics & automation
- Smart home technology
- Transport & infrastructure



New products, modifications or obsolete parts?
We can **custom design** to meet your needs.



MH D-SUBS

With machined or stamped & formed contacts

FEATURES:

- Available in 9, 15, 25, 37 and 50 in standard density; 15, 26, 44 or 62-way in high density
- Solder cup terminations
- Right-angle PCB mount and vertical PCB solder tail options
- Crimp contact housing (contacts sold separately)
- IDC terminations
- Compatible MH hoods & accessories available



BOARD MOUNT

SERIES	DESCRIPTION	PCB SOLDER	RIGHT-ANGLE	HIGH DENSITY
MH-HDD	PCB solder tail connector	X		X
MHDD	Straight & angled connector	X	X	

CABLE MOUNT

SERIES	DESCRIPTION	CRIMP	SOLDER CUP	IDC	HIGH DENSITY
MH-HDS	High density solder cup connector		X		X
MHDM	Solder cup connector		X		
MH105	IDC connector			X	
MHDB	Solder cup connector		X		
MHDF2	Economy IDC connector			X	
MH-HDBC	High density D-crimp connector	X			X
MHDBC	D-crimp connector	X			



Simple. Complex. Critical.



MHCD SERIES

Combination Power & Signal D-Sub

FEATURES:

- Available in a range of industry standard contact configurations: 3W3 | 5W1 | 5W5 | 7W2
- All contacts are pre-loaded into the insulator
- Available with solder cup, vertical and right angle pin terminations
- Available with 20 or 40 amp power contacts, 5 amp signal
- Allows signal and power transfer within one connector



ORDER CODE:

EXAMPLE PART NUMBER: MHCDR7W2P4

	MHCD	R	7W2	P	4
SERIES	TERMINATION		CONTACT LAYOUT*	SPECIAL CONTACT	
MHCD	S	VERTICAL SOLDER CUP	TYPE	2	20A POWER CONTACTS
	D	VERTICAL SOLDER PIN		4	40A POWER CONTACTS
	R	RIGHT ANGLE SOLDER PIN	P	PLUG	
			S	SOCKET	

MH COMBINATION D-SUB CONNECTORS SHELL SIZE REFERENCE

- 5W1 LAYOUT D-SUBS = STANDARD 9 POSITION
- 3W3 / 7W2 LAYOUT D-SUBS = STANDARD 15 POSITION
- 5W5 LAYOUT D-SUBS = STANDARD 25 POSITION

5W1	
3W3	
7W2	
5W5	

TECHNICAL SPECIFICATION:

INSULATOR MATERIAL	PBT, BLACK, UL94 V-0
INSULATOR RESISTANCE	5 GΩ
POWER CONTACT CURRENT	20A OR 40A PER CONTACT MAX.
SIGNAL CONTACT CURRENT	5A PER CONTACT MAX.
WORKING VOLTAGE	250V
SHELL MATERIAL, PLATING	STAMPED STEEL, NICKEL
CONTACT MATERIAL, PLATING	COPPER ALLOY, FULL GOLD FLASH
OPERATING TEMP. RANGE	-55°C ~ +125°C



MH D-SUB HOODS

Plastic, metallisedplastic & die-cast options

FEATURES:

- Designed to maximise EMI/RFI shielding
- 35°, 45°, 90° and 180° with single, double or triple cable entry
- Optimal connection stability and cable strain relief
- Compatible with MH D-Sub range for 9, 15, 25, 26, 37, 44, 50 or 62-way connectors
- Custom or semi-custom backshell projects undertaken



PLASTIC HOODS

SERIES	DESCRIPTION	MATERIAL	OPERATING TEMP.	3-WAY	45°	180°
MDDPPK-SLIM	Quick snap hood	Polyamid	-55°C to +110°C			X
MHDSSK-T/P	Multi-entry hood	Polyamid	-55°C to +110°C		X	X
MHDTPPK	180° entry hood	UL-recognised plastic	-55°C to +110°C			X
MHD45PPK	45° entry hood	UL-recognised plastic	-55°C to +110°C			X
MHTRI-P	3-way entry hood	UL-recognised plastic	-55°C to +110°C	X		
MHCCOV-SCL	180° entry hood	UL-recognised plastic	-55°C to +110°C			X
MHCCOV-SN	Quick snap hood	UL-recognised plastic	-55°C to +110°C			X
MHED-D	Slide lock hood	UL-recognised plastic	-55°C to +110°C		X	X
MHED-DS	Screw lock hood	UL-recognised plastic	-55°C to +110°C		X	X

METALLISED PLASTIC HOODS

SERIES	DESCRIPTION	MATERIAL	OPERATING TEMP.	3-WAY	45°	180°
MHDPPK-T/M	Quick snap hood	Nickel over copper	-55°C to +110°C			X
MHDSSK-T/M	Multi-entry hood	Nickel over copper	-55°C to +110°C		X	X
MHDTPK	180° entry hood	Nickel over copper	-55°C to +110°C			X
MHD45PK	45° entry hood	Nickel over copper	-55°C to +110°C		X	
MHTRI-M	3-way entry hood	Nickel over copper	-55°C to +110°C	X		
MHC88E2	45° entry hood	Nickel over copper	-40°C to +120°C		X	
MHC88E3	180° entry hood	Nickel over copper	-40°C to +120°C			X
MHCCOV-MP	180° entry hood	Nickel over copper	-40°C to +120°C			X

MH D-SUB HOODS

Plastic, metallised plastic & die-cast options



FULL METAL HOODS

SERIES	DESCRIPTION	MATERIAL	OPERATING TEMP.	45°	55°	90°	180°
MHC	180° MHULTI hood	Zinc, nickel plated	-40°C to +120°C				X
MHC35	55° MHULTI hood	Zinc, nickel plated	-40°C to +120°C		X		
MHC88EE000	180° entry hood	Zinc, nickel plated	-25°C to +90°C				X
MHCCOV-ME	180° entry hood	Zinc, chrome plated	-40°C to +120°C				X
MHCCOV-MEL	180° entry hood	Zinc, chrome plated	-40°C to +120°C				X
MHCCOV-MEL-RG	180° entry hood	Zinc, chrome plated	-25°C to +90°C				X
MHDTZK	180° entry hood	Zinc, nickel plated	-40°C to +120°C				X
MHDCMR-ULP	90° low profile hood	Zinc, nickel plated	-25°C to +90°C			X	
MHDM	180° MHULTI hood	Zinc, nickel plated	-40°C to +120°C				X
MHDM35	55° MHULTI hood	Zinc, nickel plated	-40°C to +120°C		X		
MHDMSCK	90° slide lock hood	Zinc, nickel plated	-40°C to +120°C			X	
MHDTSL-JS	180° or 45° hood	Zinc, nickel plated	-40°C to +120°C	X			X
MHDTSL-JSFR	180° or 45° hood	Zinc, nickel plated	-40°C to +120°C	X			X
MHDTSL-SL	180° or 45° hood	Zinc, nickel plated	-40°C to +120°C	X			X
MHTDSL-SLFR	180° or 45° hood	Zinc, nickel plated	-40°C to +120°C	X			X
MHDTZI	Double clamp hood	Zinc, nickel plated	-40°C to +120°C				X
MHD45ZK	45° entry hood	Zinc, nickel plated	-40°C to +120°C	X			
MHDTZK-BK	180° entry hood	Zinc, black	-40°C to +120°C				X
MHDTZK-RA	180° entry hood	Zinc, nickel plated	-40°C to +120°C				X
MHDTZK-RA-BK	180° entry hood	Zinc, black	-40°C to +120°C				X
MHD45ZK-BK	45° entry hood	Zinc, black	-40°C to +120°C	X			
MHDCMR-RA	90° low profile hood	Zinc, nickel plated	-40°C to +120°C			X	
MHDU45ZK	Twin 45° entry hood	Zinc, nickel plated	-40°C to +120°C	X			
MHDVSL	45° slide lock hood	Zinc, nickel plated	-40°C to +120°C	X			
MHEE	180° MHULTI hood	Zinc, nickel plated	-40°C to +120°C				X
MHEE35	55° MHULTI hood	Zinc, nickel plated	-40°C to +120°C		X		
MHDCMR	90° entry hood	Zinc, nickel plated	-25°C to +90°C			X	

SPECIAL HOODS & ADAPTORS

SERIES	DESCRIPTION	MATERIAL	OPERATING TEMP.	9-way	15-way	25-way	37-way
DFCC	180° flat cable grip hood	ABS plastic	-55°C to +110°C	X	X	X	
DFCK	180° flat cable hood	ABS plastic	-55°C to +110°C	X	X	X	X
DMCK	Drawn D-Connector can	Steel, zinc plated	-55°C to +110°C	X	X	X	X
MHDA	RJ45 to D-sub adaptor	UL-recognised plastic	-30°C to +90°C	X	ON REQUEST	X	
MHGA	D-sub gender adaptor	UL-recognised plastic	-30°C to +90°C	X	X	X	



MHCP SERIES

Push-pull connectors

FEATURES:

- Cable & panel mount options
- 2 - 34 pins, depending on series
- Precision machined contacts capable of carrying 1 – 30A (depending on insert configuration)
- 360° EMI/RFI shielding (metal series)
- IP50 / IP68 rated*
- Fully compatible with existing industry solutions

* Cable mount connectors IP68-rated when correctly assembled with a highly impervious seal to a uniformly circular cable.



ORDER CODE:

EXAMPLE PART NUMBER: MHCP1B02PS50S

MHCP		1B	02	P	S	50	S
SERIES		CONFIGURATION	NO. CONTACTS (02-34)	TERMINATION TYPE		CABLE CODE See drawing for cable entry diameter	STRAIN RELIEF (BOOT)
00	SIZE MINIATURE			S	SOLDER CUP		
1P/2P	SIZE + PLASTIC IP50			D	SOLDER PIN		
0K/1K/2K	SIZE + K-SERIES IP68		MOUNTING TYPE	CABLE CODE			
0T/1T/2T	SIZE + T-SERIES IP68		P	CABLE MOUNT PLUG			
0B/1B/2B	SIZE + B-SERIES IP50		F	CABLE MOUNT SOCKET			
			S	PANEL MOUNT SOCKET			
			R	RIGHT ANGLE SOCKET			
						S	COMPATIBLE (supplied with boot)
						BLANK	NOT COMPATIBLE

TECHNICAL SPECIFICATION:

SHELL	CHROMIUM PLATED BRASS OR PSU PLASTIC
CONTACTS	MACHINED COPPER ALLOY, FULL GOLD FLASH
POWER RATING	UP TO 30 AMPS DEPENDING ON INSERT CONFIGURATION
INSULATOR RESISTANCE	5 GΩ
SHIELDING	75dB (10MHz) 40dB (1GHz)
VIBRATION	15g (10Hz ~ 2000Hz)
SHOCK RESISTANCE	100g (6ms)
MATING CYCLE	>5,000 (METAL), >1,000 (PLASTIC)
OPERATING TEMP. RANGE	-55°C ~ +200°C (METAL), -55°C ~ +150°C (PLASTIC)

Simple. Complex. Critical.

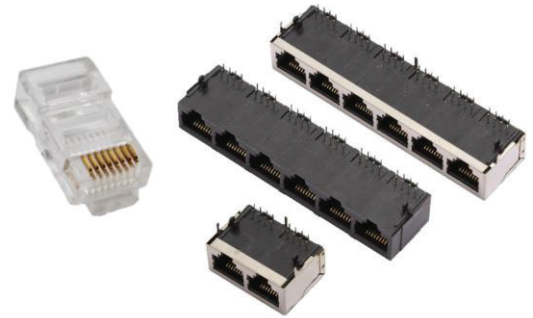


MH MODULAR CONNECTORS

For reliable, stable & interference-free connection

FEATURES:

- Wide range including RJ45, RJ48, RJ11, RJ12 and Cat 5/6
- Wide variety of footprints and mounting styles
- Available with or without shielding
- Compatible with industry standard PCB layouts, panel cut-outs and FCC specifications



MODULAR CONNECTORS

SIZE	TYPE	PRODUCT CODE	UL 94V-0 BODY	FCC COMPATIBLE
8P8C	RJ45	MHRJ45-8P8CR	X	X
4P4C	RJ22	MHRJ22-4P4CR	X	X
6P4C	RJ11	MHRJ11-6P4CR	X	X
6P6C	RJ12	MHRJ12-6P6CR	X	X
10P10C	RJ48	MHRJ48-10P10CR	X	X

MODULAR JACKS

SIZE	DESCRIPTION	SHIELDED	UN-SHIELDED	2 PORT	4 PORT	6 PORT	8 PORT
MHRJJ	Modular jacks	X	X				
MH3012	Harmonica jacks	X	X	X	X	X	X
MH3101	Modular coupler	X	X				

CABLE MOUNT

SERIES	DESCRIPTION	COLOURS AVAILABLE	STANDARD OD
MHRJ45SRB	Strain relief boots	11	5.6mm
MHRJ45SRB-TRANS	Translucent strain relief boot	6	5.6mm
MHRJ45SRB-RETRO	Retrofit strain relief boot	10	5.6mm
MHRJ45-SRI	Strain relief insert	7	5.6mm

MHRJJ SERIES

Cat6/6A jacks



FEATURES:

- Accepts a standard RJ plug
- Fixed parameters: all through-hole, tab up, with boardlock, without EMI finger, without LED
- Options for mounting direction, shielding and plating thickness (6 μ " standard)
- Compatible with industry standard PCB layouts



ORDER CODE:

EXAMPLE PART NUMBER: MHRJJC6NFRS1

MHRJJ		C6		NF		R	S	1
PRODUCT		PERFORMANCE CATEGORY		FLANGE OPTION		SHIELDING OPTION		
RJJ - JACK		C6	CAT6	NF - NO FLANGE		S	SHIELDED	
						N	UNSHIELDED	
				MOUNTING OPTION		CONTACT PLATING OPTION		
				R	RIGHT ANGLE THROUGH-HOLE	1	6 μ " GOLD PLATING	
				V	VERTICAL THROUGH-HOLE	2	15 μ " GOLD PLATING	
						3	30 μ " GOLD PLATING	
						4	50 μ " GOLD PLATING	

TECHNICAL SPECIFICATION:

INSULATOR MATERIAL	THERMOPLASTIC, UL94 V-O
SHIELDING SHELL MATERIAL	NICKEL PLATED BRASS
CONTACT MATERIAL	PHOSPHOR BRONZE
CONTACT PLATING	GOLD OVER NICKEL PLATED (MATING AREA) TIN OVER NICKEL (TERMINATION AREA)
MATING CYCLES	MIN. 750 CYCLES



 **+39 0536 811616**

 **bce@bce.it**

 **ww.bce.it**

